

For reference only. See data sheet for the detailed specifications.

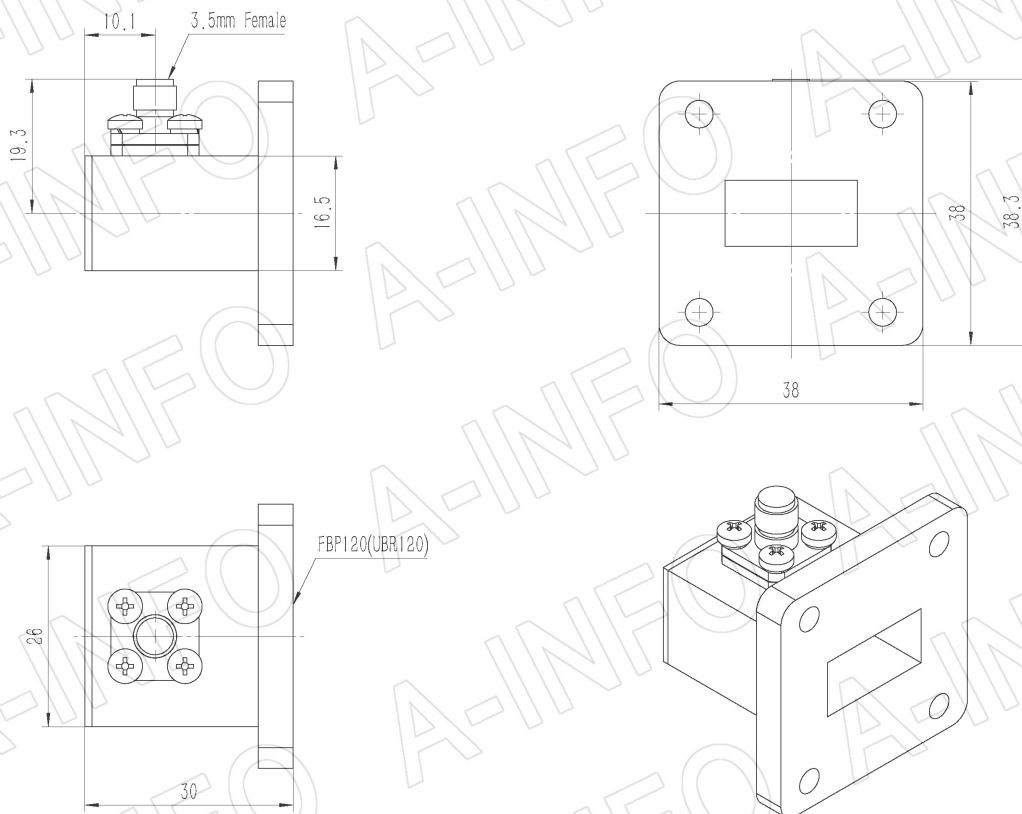
Technical Specification



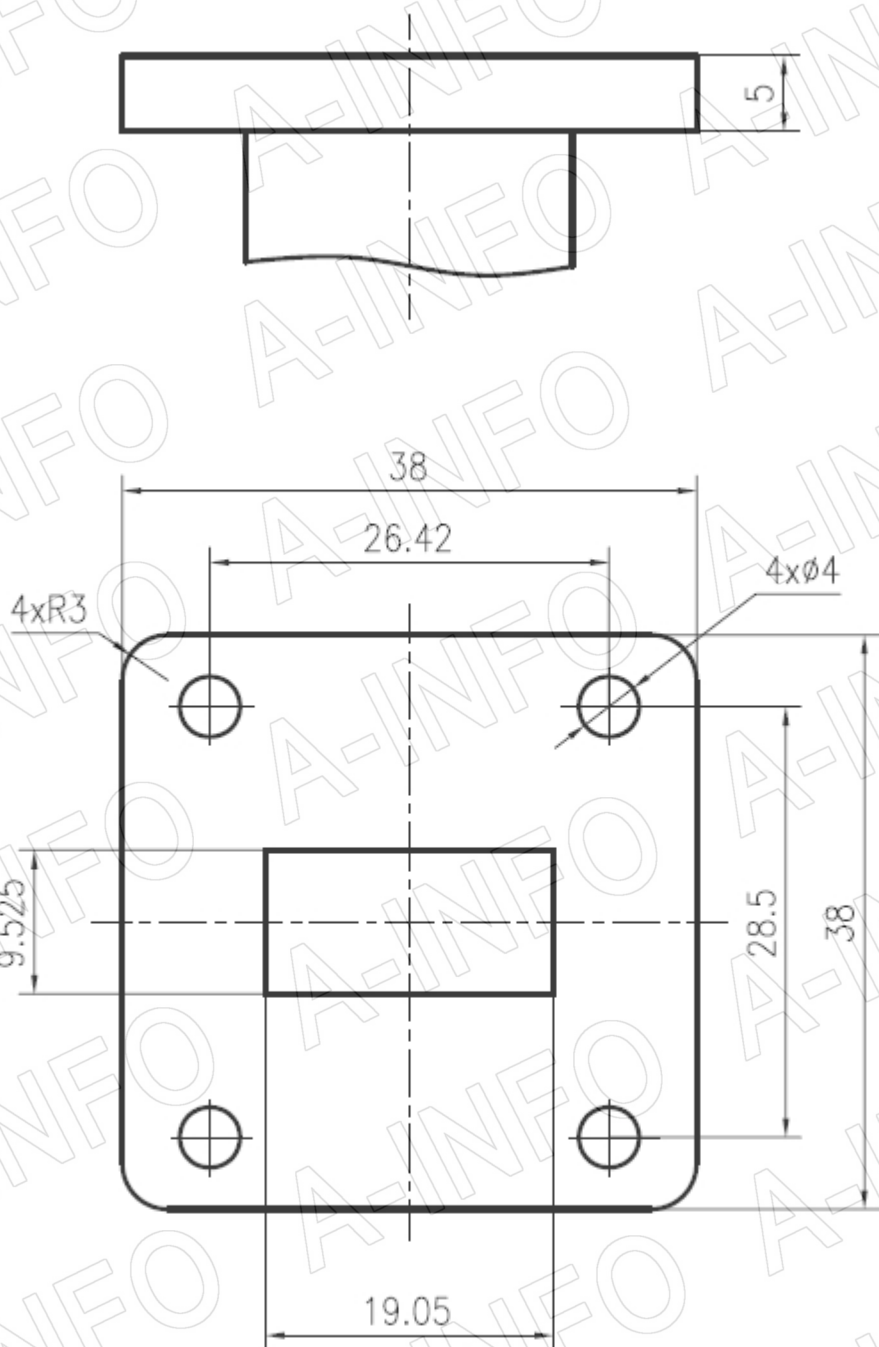
EIA WR	WR75
Frequency Range(GHz)	10.0 – 15.0
Insertion Loss(dB)	0.25 Max.
VSWR	1.30:1 Max.
Flange	FBP120(UBR120)
Connector	3.5mm-Female
Average Power(W CW)	50 Max.
Peak Power(KW)	0.1
Material	Al
Size(mm)	30 x 38 x 38.3
Net Weight(Kg)	0.04 Around

Outline Drawing (Size: mm)

75WCA3.5 (With 3.5mm-Female Output)



Flange Drawing (Size: mm)

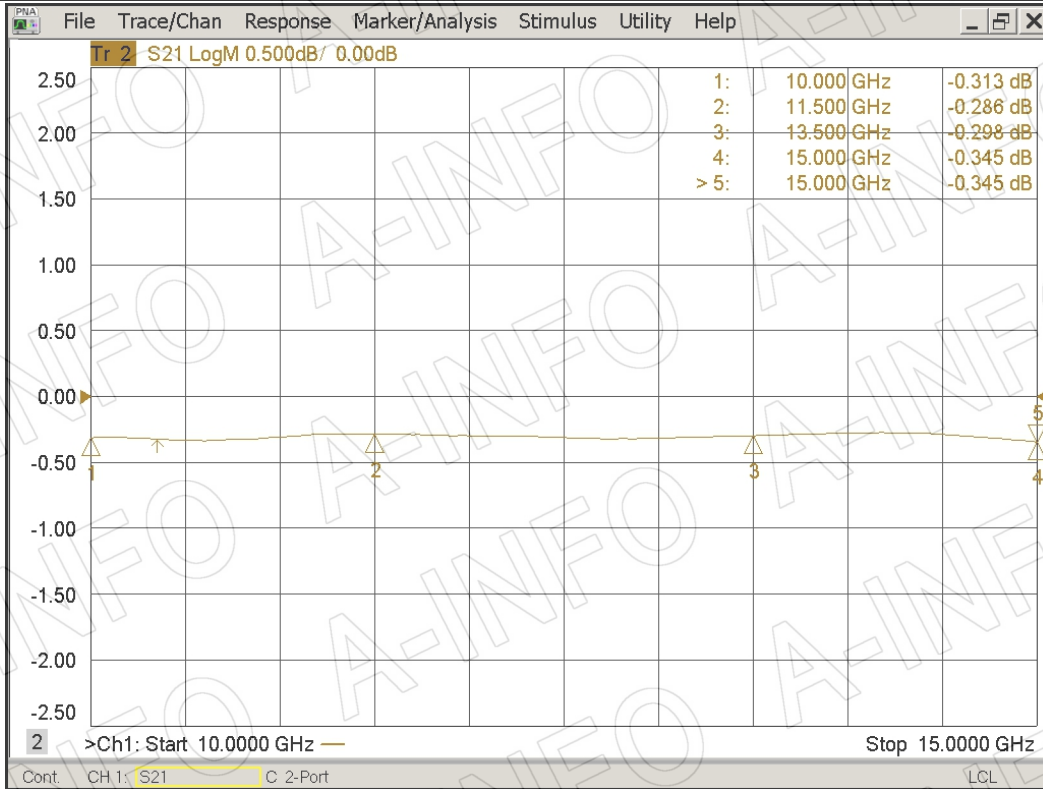


FBP120

Test Results

I. L. (Test with two adapters back to back)

10.0 – 15.0GHz Right Angle Waveguide to Coaxial Adapter



VSWR

